

BIOMAJ2GALAXY

AUTOMATIC UPDATE OF REFERENCE DATA IN GALAXY USING BIOMAJ

Anthony Bretaudeau
abretaud@irisa.fr
BIPAA/GenOuest
Rennes, France








BioMAJ



- Workflow engine for data synchronization and processing
 - Find new data releases (ncbi, ucsc,)
 - Download files (ftp, http, ...)
 - Process data (indexes, format conversions, twitter, ...)
- Command line access: /db/bank/release/...
- Automatic update scheduling
- Widely used in french bioinfo platforms, deb/rpm packages, ...

<https://github.com/genouest/biomaj>

http://banks.genouest.org

Biomaj Watcher  Banks  Stats  About  biomaj  Logout

Available banks

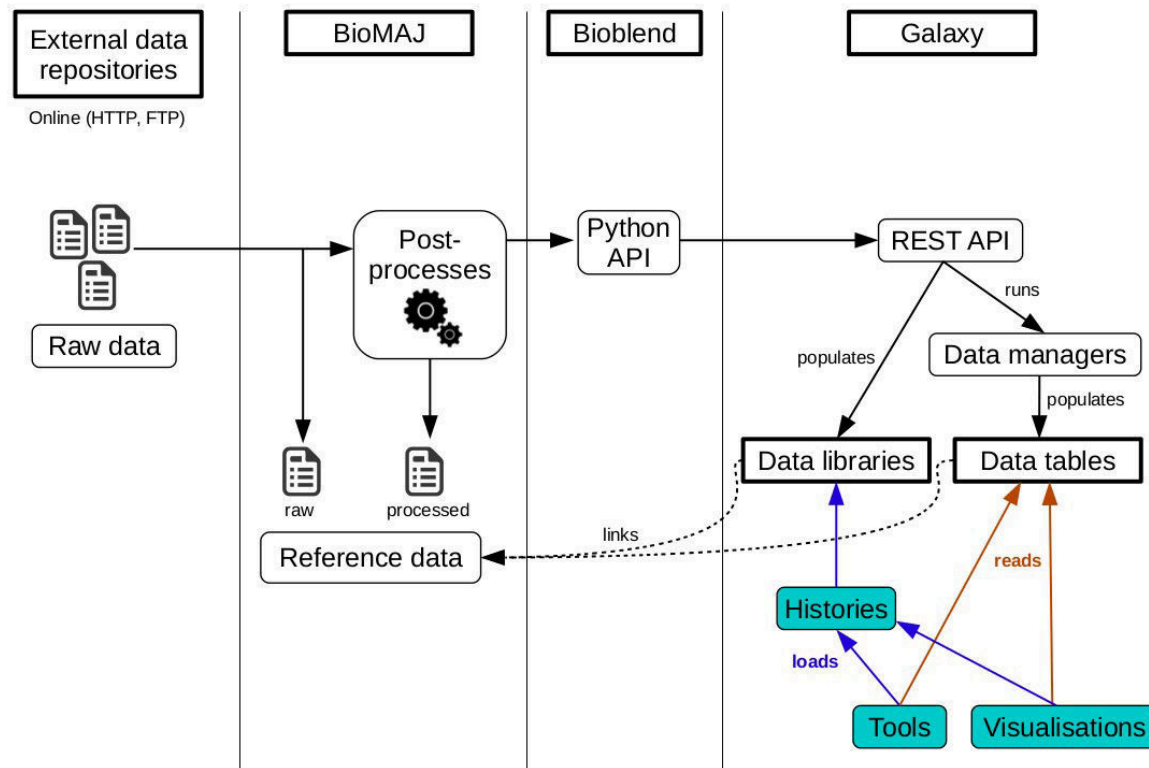
Show entries Search:

Name	Type	Formats	Current Release
Acyrtosiphon_pisum-bcm	genome/eucaryotic	fasta,blast	2008-06-20
alu	nucleic_protein		2003-11-26
annotqtl	custom		2013-08-15
Anopheles_gambiae-ncbi	genome/eucaryotic	bwa,fasta,bowtie2,blast,2bit	AgamP3
aphidbasenuc	aphidbase/nucleic	fasta,blast	2.1
aphidbaseprot	aphidbase/proteic	fasta,blast	2.1
Apis_mellifera-ncbi	genome/eucaryotic	bwa,fasta,bowtie2,blast,2bit	Amel_4.5
Arabidopsis_thaliana-ncbi	genome/eucaryotic	bwa,fasta,blast,bowtie2,2bit	TAIR10
Astral		xml	2009-06-03
Bacteria-ncbi	genome/procaryotic	fasta,blast	2013-07-24

Showing 1 to 10 of 136 entries Previous 2 3 4 5 ... 14 Next

BioMAJ2Galaxy

- Let BioMAJ handle Galaxy reference data update
- BioMAJ post process to update reference data in Galaxy
- Uses Bioblend to invoke Data Managers or fill data libraries



Benefits

- Automation: scheduled updates
- Reliability: no more dead entries in loc files
- Data reuse: each index is generated and stored 1 time and can be used from command line, galaxy, mobylye, ...

<https://github.com/genouest/biomaj2galaxy>

Thanks

(Poster 28)



Yvan Le Bras

Cyril Monjeaud



Olivier Collin



GenOuest



Fabrice Legeai

BIPAA platform

<http://www.inra.fr/bipaa>

<https://github.com/genouest/biomaj2galaxy>